



Double Eccentric High Performance Butterfly Valves, Wafer Type, Metal Seated Model 82M-W

• Flange requirements

- ASME Class150
- DIN PN 10/ 16/ 25
- JIS 10K/ 16K/ 20K
- Others may be available upon request

• Standard

- Basic Design to API 609
- Inspection & testing according to API 598/ISO 5208
- PED 97/23/EC; ISO 9001

• Material.

CF8M/CF8/WCB

• Pressure Rating

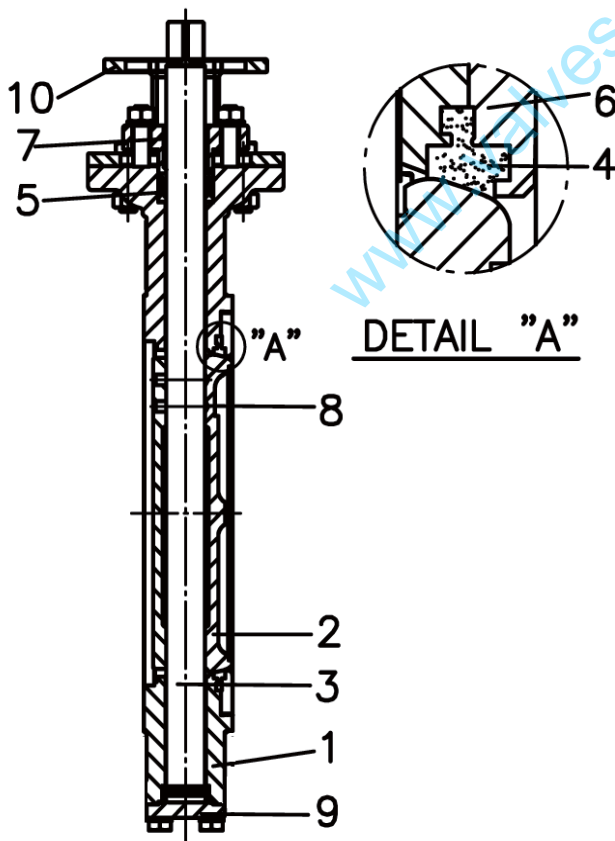
Class 150 / PN10, 16, 25

• Body Rating

PN25

• Size

2" ~ 24"



• Design feature

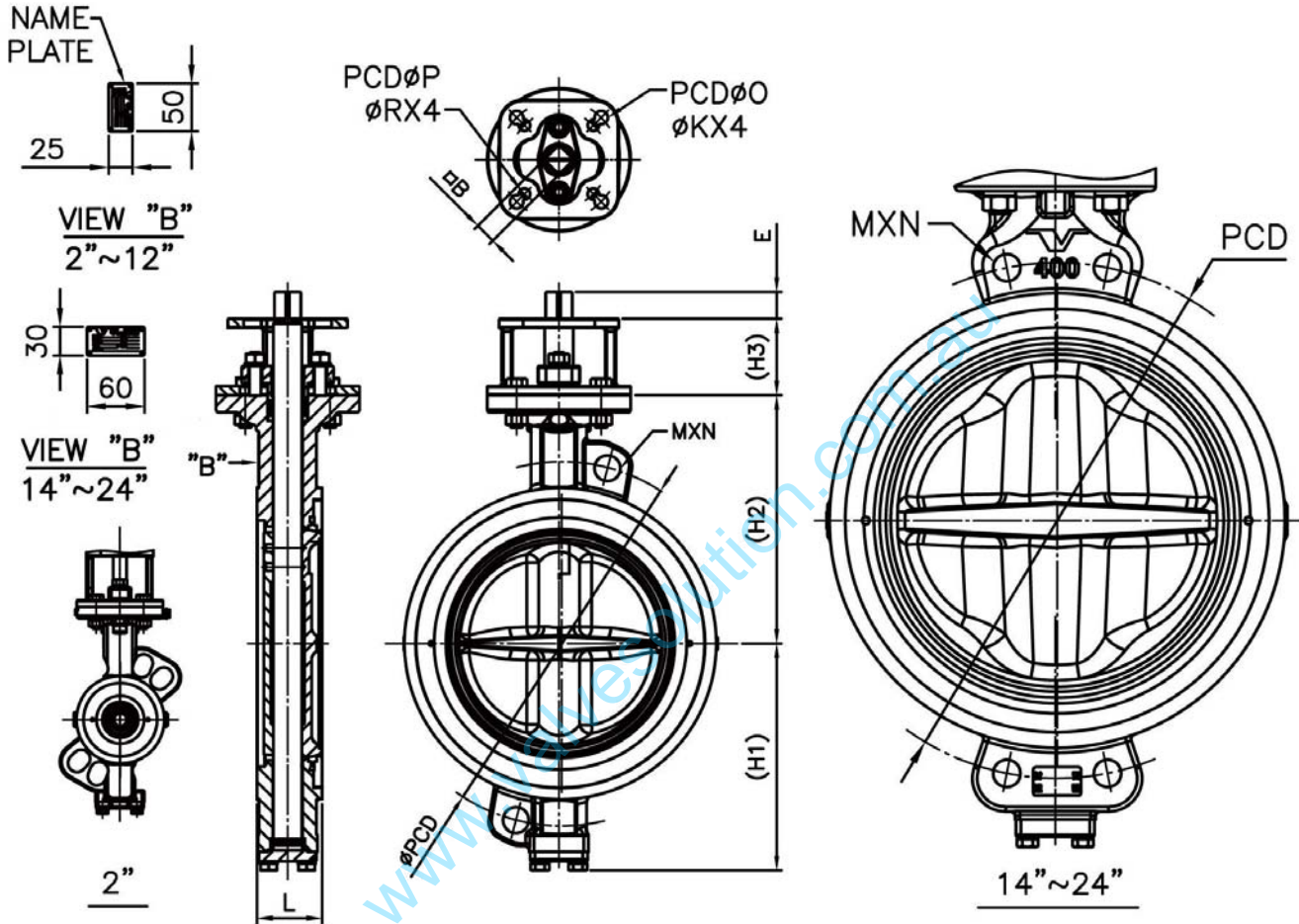
- Valves are high performance with offset seat and double eccentric disc design
- Valves seat are designed for full pressure, and bi-directional sealing
- Integral ISO 5211 mounting pad easy for automation
- One-piece shaft design equipped with blow-out proof and anti-static devices
- Patented seat retainer ring fixed without bolts and offering complete uninterrupted seal face
- Valves has integral body stop to prevent over travel
- DIN EN10204-3.1 certificate available

Materials List:

No.	Parts Name	JIS	ASTM	Remark
1	Body	SCS13	A351 CF8	
		SCS14	A351 CF8M	
		SC480	A216 WCB	
2	Disc	SCS13	A351 CF8	
		SCS14	A351 CF8M	
3	Seat	SUS316	A240 Gr.316	
4	Gland Packing	Graphite		
5	Retainer	SCS13	A351 CF8	
		SCS14	A351 CF8M	
6	Stem	SUS13	A182 F304	
		SUS14	A182 F316	
			A479 XM-19	
			A536 630	
7	Gland	SCS14	A351 CF8M Same as body	
8	Pin	SUS316	A182 F316	
9	Bottom Cover	SCS14	A351 CF8M	
10	Yoke		A216 WCB	
			A536 65-45-12	



Double Eccentric High Performance Butterfly Valves, Wafer Type, Metal Seated
Model 82M-W



DIMENSIONS LIST:

Valve Size		L	C	H1	H2	H3	B	O	K	P	R	E	Cv	Weight kg	ASME Class 150		BS10 Table E	
NPS	MM														PCD	M x N	PCD	M x N
2"	50	43	58	99	118	60	11	70	9	50	7	18	66	4.2	-	-	-	-
2.5"	65	46	78	110	125	60	11	70	9	50	7	18	140	5.5	139.7	19x2	127	19x2
3"	80	47	92	128	140	70	14	102	11	70	9	23	260	8.5	152.4	19x2	146.1	19x2
4"	100	53	110	150	157	70	14	102	11	70	9	23	420	14	190.5	19x2	177.8	19x2
5"	125	57	135	163	170	70	17	102	11	70	9	23	720	18	215.9	23x2	209.6	19x2
6"	150	56	162	176	185	70	17	102	11	70	9	23	1200	19.5	241.3	23x2	235	23x2
8"	200	62	205	206	220	80	19	125	14	102	11	28	2000	31	298.5	23x2	292.1	23x2
10"	250	68	258	238	260	80	22	125	14	102	11	28	3100	47	362	25x2	355.6	23x2
12"	300	78	303	269	290	100	27	140	18	125	14	37	4750	67	431.8	25x2	406.4	25x2
14"	350	78	360	306	326	100	27	140	18	125	14	37	5850	103	476.3	25x4	469.9	25x4
16"	400	102	410	342	370	120	36	165	22	140	18	47	8300	178	539.8	27x4	520.7	25x4
18"	450	114	460	370	395	120	36	165	22	140	18	47	10400	198	577.9	M24x4	584.2	7/8"-9UNCx4
20"	500	127	510	399	430	120	46	165	22	140	18	56	13800	265	635	M24x4	641.4	7/8"-9UNCx4
24"	600	154	610	455	490	150	46	256	18	-	-	56	22500	486	749.3	M30x4	755.7	1-1/8"-8UNCx4