



Double Eccentric High Performance Butterfly Valves, Lug Type Model 82-L

- **Flange requirements**

- ASME Class150
- DIN PN 10/ 16/ 25
- JIS 10K/ 16K/ 20K
- Others may be available upon request

- **Standard**

- Basic Design to API 609
- Inspection & testing according to API 598/ISO 5208
- PED 97/23/EC; ISO 9001

- **Material.**

CF8M/CF8/WCB

- **Pressure Rating**

Class 150 / PN10,16,25

- **Body Rating**

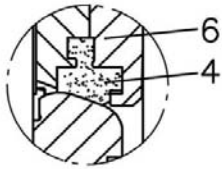
PN25

- **Size**

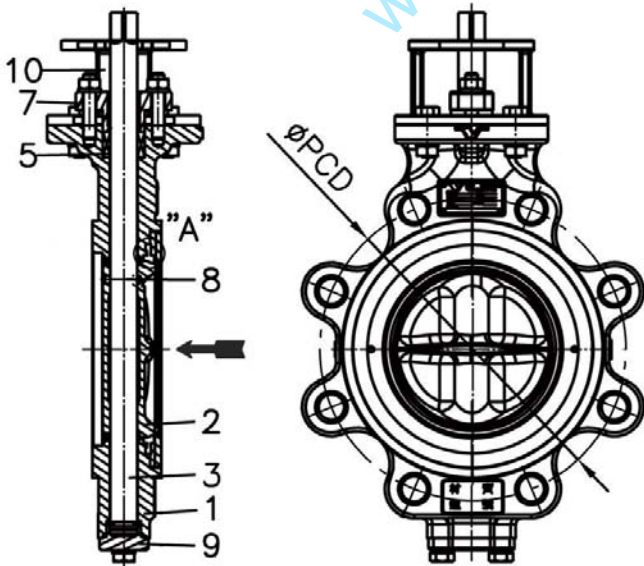
2" ~ 24"

- **Temperature Range**

-25°F ~ 400°F (R.PTFE)



DETAIL "A"



- **Design feature**

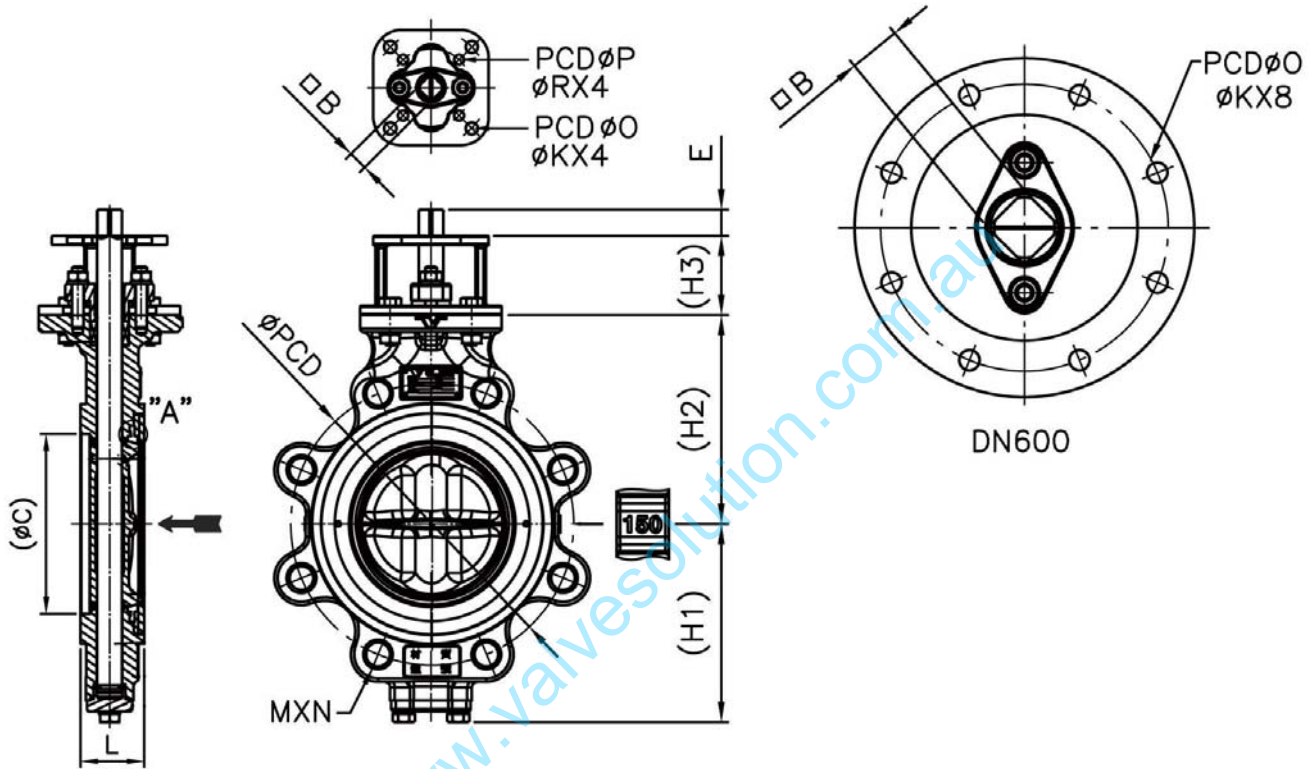
- Valves are high performance with offset seat and double eccentric disc design
- Valves seat are designed for full pressure, and bi-directional sealing
- Integral ISO 5211 mounting pad easy for automation
- One-piece shaft design equipped with blow-out proof and anti-static devices
- Patented seat retainer ring fixed without bolts and offering complete uninterrupted seal face
- Valves has integral body stop to prevent over travel
- DIN EN10204-3.1 certificate available

Materials List:

| No. | Parts Name | JIS | ASTM | Remark |
|-----|---------------|--------|---------------------------|---------|
| 1 | Body | SCS13 | A351 CF8 | |
| | | SCS14 | A351 CF8M | |
| | | SC480 | A216 WCB | |
| 2 | Disc | SCS13 | A351 CF8 | |
| | | SCS14 | A351 CF8M | |
| | | | | |
| 3 | Seat | | PTFE | 0~160°C |
| | | | PTFE/Fiberglass Composite | 0~180°C |
| | | | PTFE/Graphite Composite | 0~210°C |
| 4 | Gland Packing | | PTFE | 0~160°C |
| | | | PTFE/Fiberglass Composite | 0~180°C |
| 5 | Retainer | SCS13 | A351 CF8 | |
| | | SCS14 | A351 CF8M | |
| 6 | Stem | | A182 F304 | |
| | | | A182 F316 | |
| | | | A479 XM-19 | |
| | | | A536 630 | |
| 7 | Gland | SCS14 | A351 CF8M | 2"~14" |
| | | | Same as body | 16"~24" |
| 8 | Pin | SUS316 | A182 F316 | |
| 9 | Bottom Cover | SCS14 | A351 CF8M | |
| | | | A216 WCB | |
| 10 | Yoke | | A536 65-45-12 | 2"~20" |
| | | | | 24" |



Double Eccentric High Performance Butterfly Valves, Lug Type Model 82-L



DIMENSIONS LIST:

| Valve Size | | L | C | H1 | H2 | H3 | B | O | K | P | R | E | Cv | Weight kg | ASME Class 150 | | BS10 Table E | |
|------------|-----|-----|-----|-----|-----|-----|----|-----|----|-----|----|----|-------|--------------|----------------|----------------|--------------|----------------|
| NPS | MM | | | | | | | | | | | | | | PCD | M x N | PCD | M x N |
| 2" | 50 | 43 | 58 | 98 | 118 | 60 | 11 | 70 | 9 | 50 | 7 | 18 | 66 | 4.2 | 120.7 | 5/8"-11UNCx4 | 114.3 | 5/8"-11UNCx4 |
| 2.5" | 65 | 46 | 78 | 110 | 125 | 60 | 11 | 70 | 9 | 50 | 7 | 18 | 140 | 5.5 | 139.7 | 5/8"-11UNCx4 | 127 | 5/8"-11UNCx4 |
| 3" | 80 | 47 | 92 | 128 | 140 | 70 | 14 | 102 | 11 | 70 | 9 | 23 | 260 | 8.5 | 152.4 | 5/8"-11UNCx4 | 146.1 | 5/8"-11UNCx4 |
| 4" | 100 | 53 | 110 | 150 | 157 | 70 | 14 | 102 | 11 | 70 | 9 | 23 | 420 | 14 | 190.5 | 5/8"-11UNCx4 | 177.8 | 5/8"-11UNCx8 |
| 5" | 125 | 57 | 135 | 163 | 170 | 70 | 17 | 102 | 11 | 70 | 9 | 23 | 720 | 18 | 215.9 | 3/4"-10UNCx8 | 209.6 | 5/8"-11UNCx8 |
| 6" | 150 | 56 | 162 | 176 | 185 | 70 | 17 | 102 | 11 | 70 | 9 | 23 | 1200 | 19.5 | 241.3 | 3/4"-10UNCx8 | 235 | 3/4"-10UNCx8 |
| 8" | 200 | 62 | 205 | 206 | 220 | 80 | 19 | 125 | 14 | 102 | 11 | 28 | 2000 | 31 | 298.5 | 3/4"-10UNCx8 | 292.1 | 3/4"-10UNCx8 |
| 10" | 250 | 68 | 258 | 238 | 260 | 80 | 22 | 125 | 14 | 102 | 11 | 28 | 3100 | 47 | 362 | 7/8"-9UNCx12 | 355.6 | 3/4"-10UNCx8 |
| 12" | 300 | 78 | 303 | 269 | 290 | 100 | 27 | 140 | 18 | 125 | 14 | 37 | 4750 | 67 | 431.8 | 7/8"-9UNCx12 | 406.4 | 7/8"-9UNCx12 |
| 14" | 350 | 78 | 360 | 306 | 326 | 100 | 27 | 140 | 18 | 125 | 14 | 37 | 5850 | 103 | 476.3 | 1"-8UNCx12 | 469.9 | 7/8"-9UNCx12 |
| 16" | 400 | 102 | 410 | 342 | 370 | 120 | 36 | 165 | 22 | 140 | 18 | 47 | 8300 | 178 | 539.8 | 1"-8UNCx16 | 520.7 | 7/8"-9UNCx12 |
| 18" | 450 | 114 | 460 | 370 | 395 | 120 | 36 | 165 | 22 | 140 | 18 | 47 | 10400 | 198 | 577.9 | 1-1/8"-8UNCx16 | 584.2 | 7/8"-9UNCx16 |
| 20" | 500 | 127 | 510 | 399 | 430 | 120 | 46 | 165 | 22 | 140 | 18 | 56 | 13800 | 265 | 635 | 1-1/8"-8UNCx20 | 641.4 | 7/8"-9UNCx16 |
| 24" | 600 | 154 | 610 | 455 | 490 | 150 | 46 | 256 | 18 | | | 56 | 22500 | 486 | 749.3 | 1-1/4"-8UNCx20 | 755.7 | 1-1/8"-8UNCx16 |